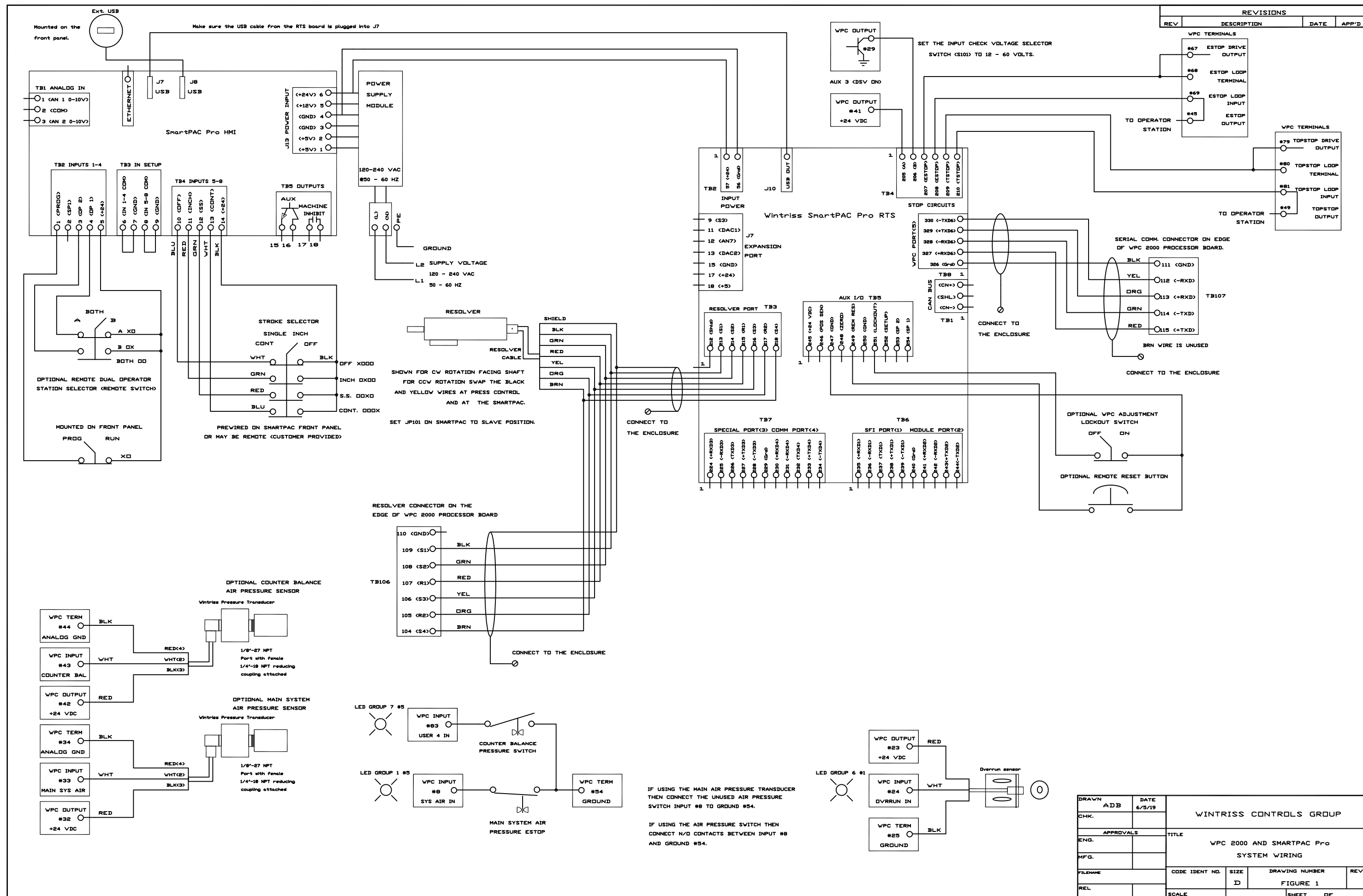


REVISIONS			
REV	DESCRIPTION	DATE	APP'D



DRAWN	AJB	DATE	6/5/19	WINTRISS CONTROLS GROUP			
CHK.							
	APPROVALS			TITLE			
ENG.				WPC 2000 AND SMARTPAC Pro			
MFG.				SYSTEM WIRING			
FILENAME				CODE IDENT NO.	SIZE	DRAWING NUMBER	REV
REL					ID	FIGURE 1	
				SCALE		SHEET	OF

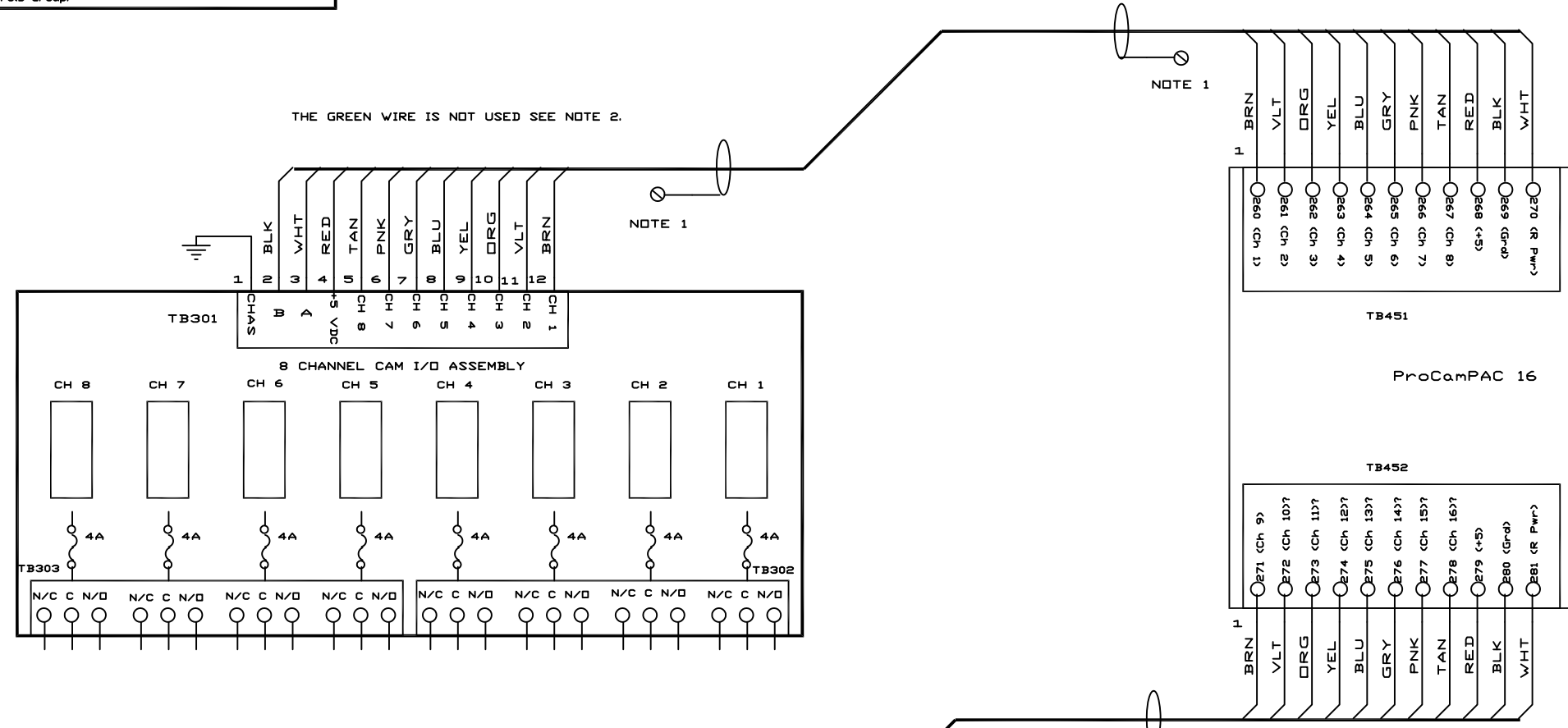
IF USING THE MAIN AIR PRESSURE TRANSDUCER THEN CONNECT THE UNUSED AIR PRESSURE SWITCH INPUT #8 TO GROUND #54.

IF USING THE AIR PRESSURE SWITCH THEN CONNECT N/O CONTACTS BETWEEN INPUT #8 AND GROUND #54.

PROPRIETARY RIGHTS. This document discloses subject matter in which Wintriss Controls Group has proprietary rights. Neither receipt nor possession thereof confers or transfers any right to reproduce or disclose the document, any part thereof, any information contained therein or any physical article or device, or to practice any method or process, except by written permission or written agreement with Wintriss Controls Group.

REVISIONS			
REV	DESCRIPTION	DATE	APP'D

CAMS 1 - 8

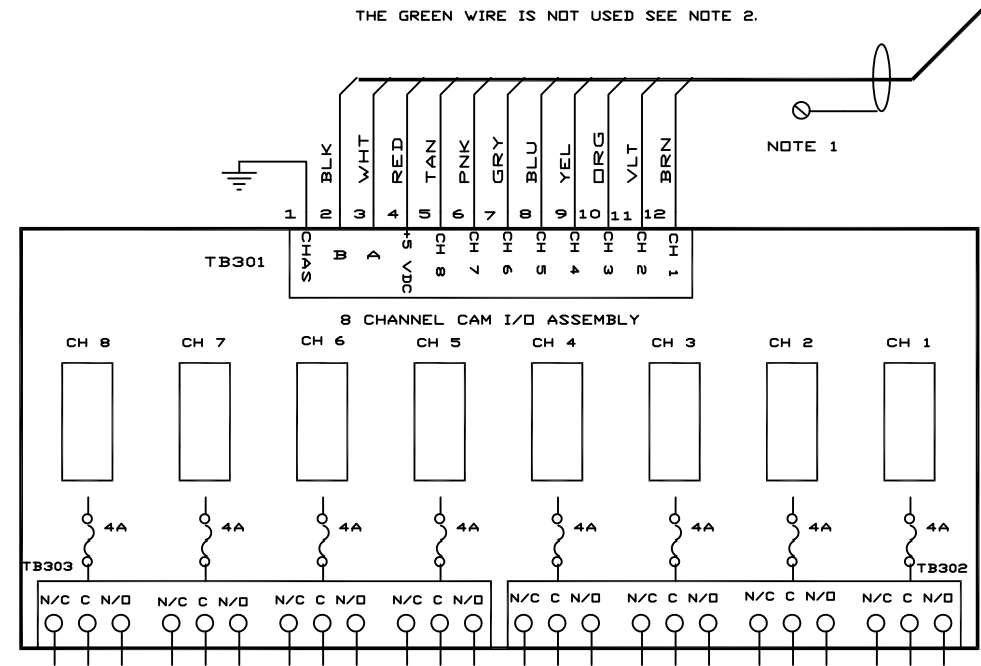


THE GREEN WIRE IS NOT USED SEE NOTE 2.

NOTE 1

NOTE 1

CAMS 9 - 16



THE GREEN WIRE IS NOT USED SEE NOTE 2.

NOTE 1

NOTE 1

NOTE 1: TERMINATE THE SHIELD TO THE ENCLOSURE CLOSE TO THE CONDUIT ENTRY POINT.

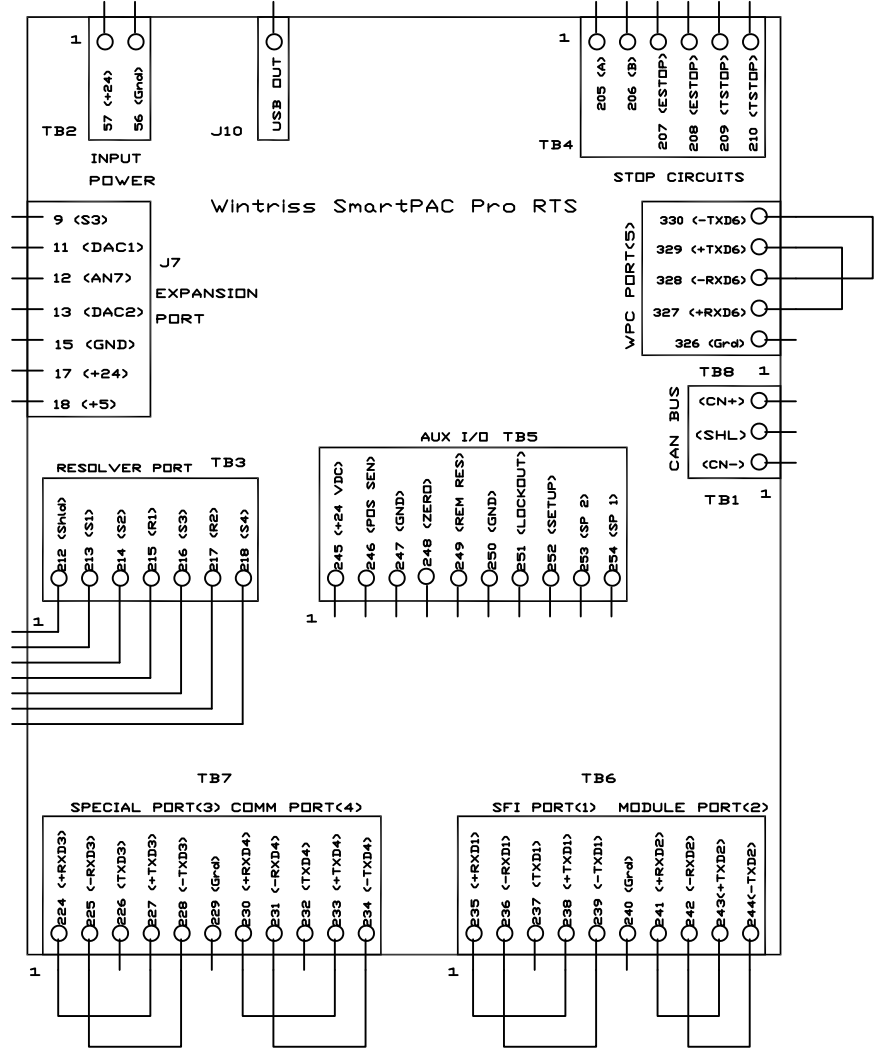
NOTE 2: CUT OFF THE GREEN WIRE FLUSH WITH THE END OF THE CABLE JACKET.

DRAWN ADB	DATE 7/10/14	WINTRISS CONTROLS GROUP		
CHK.		TITLE ProCamPAC 16 to Cam Output Wiring Diagram		
APPROVALS		CODE IDENT NO.		
ENG.		SIZE C	DRAWING NUMBER FIGURE 3	REV
MFG.		SHEET OF		
FILENAME		SCALE		
REL				

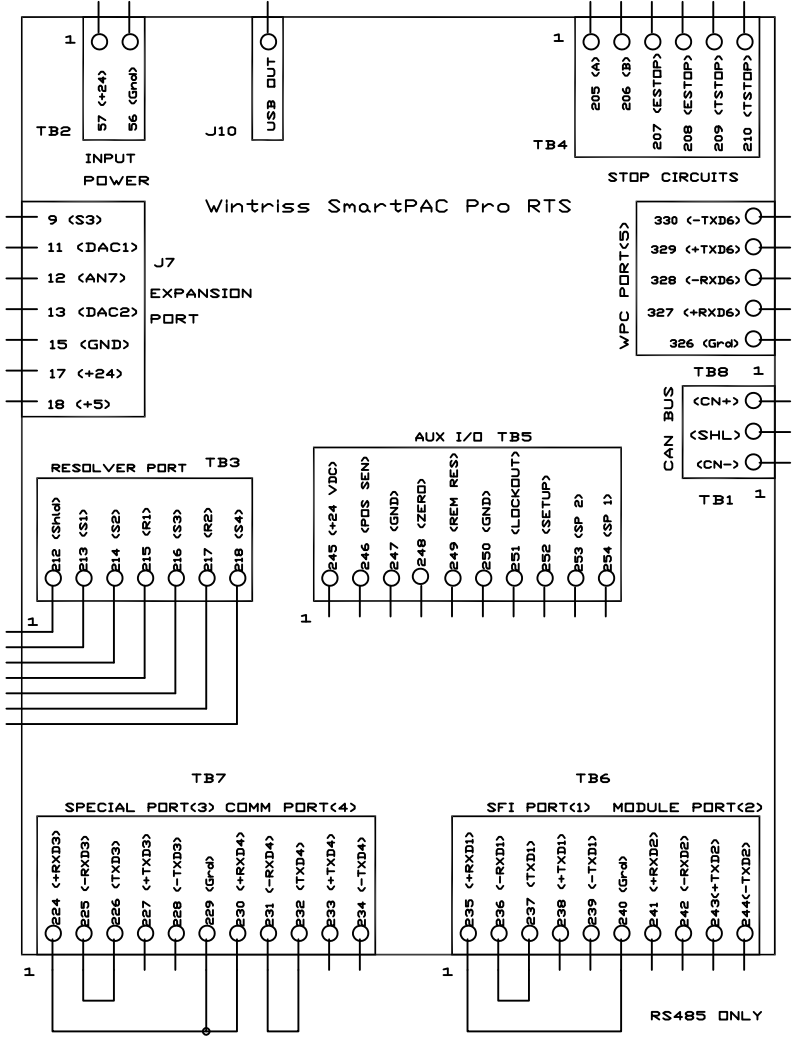
PROPRIETARY RIGHTS. This document discloses subject matter in which Wintriss Controls Group has proprietary rights. Neither receipt nor possession thereof confers or transfers any right to reproduce or disclose the document, any part thereof, any information contained therein or any physical article or device, or to practice any method or process, except by written permission or written agreement with Wintriss Controls Group.

REVISIONS			
REV	DESCRIPTION	DATE	APP'D

RS 485 CONNECTIONS



RS 232 CONNECTIONS



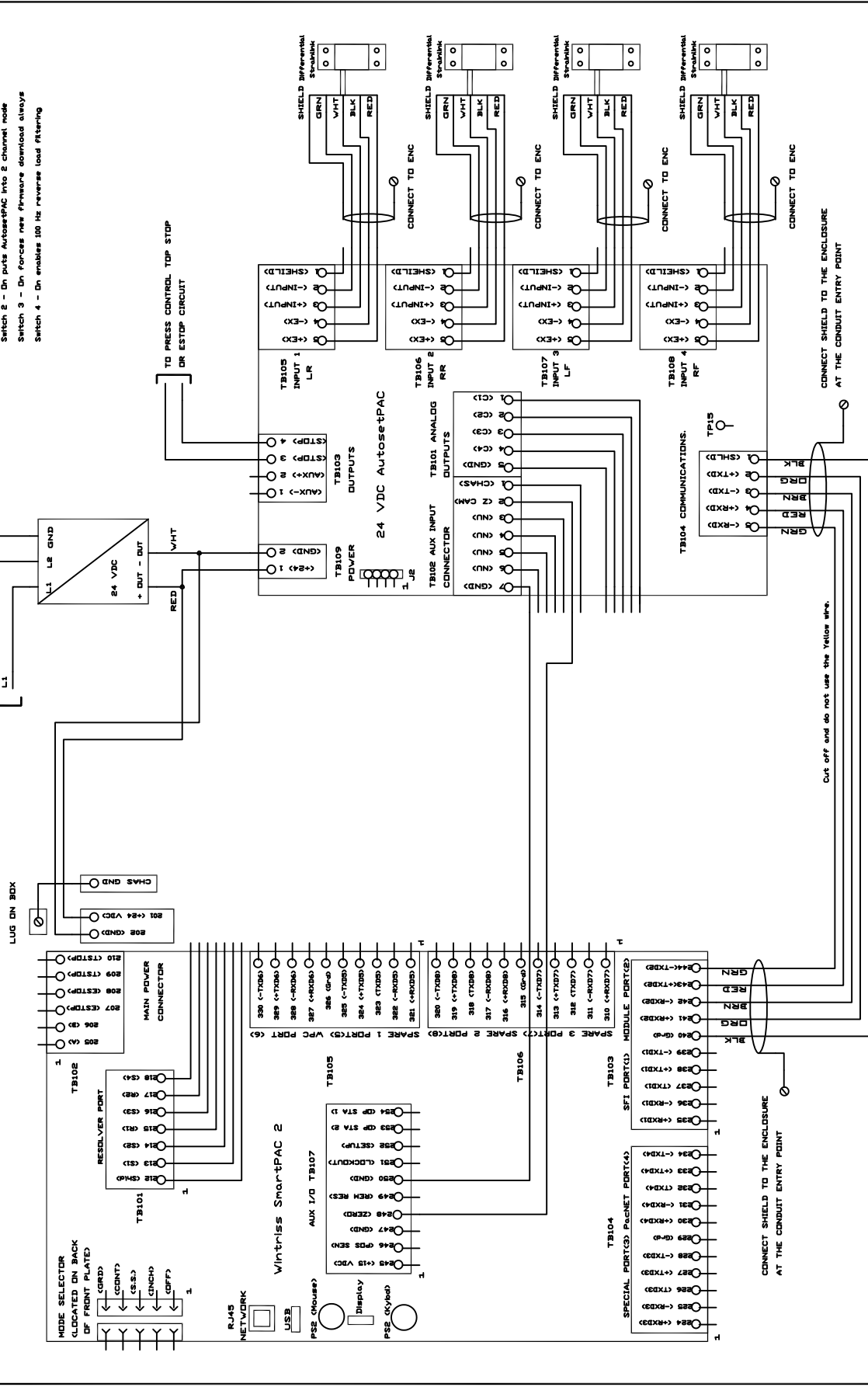
RS485 ONLY

RS485 ONLY

DRAWN ADB	DATE 2/26/19	WINTRISS CONTROLS GROUP		
CHK.		TITLE		
APPROVALS		SmartPAC Pro loopback test wiring		
ENG.		CODE IDENT NO.	SIZE C	DRAWING NUMBER FIGURE 5
MFG.		REL	SCALE	REV
				SHEET OF

PROPRIETARY RIGHTS. This document discloses subject matter in which Wintriss Controls Group has proprietary rights. Neither recipient nor possession thereof confers or transfers any right to reproduce or disclose the document, or to make any use of the information contained herein, without the express written permission of Wintriss Controls Group.

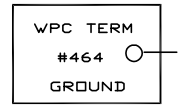
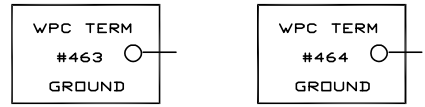
Option Switch SV101 Functions
 Switch 1 - On sets address for second AutoSetPAC
 Switch 2 - On puts AutoSetPAC into 2 Channel mode
 Switch 3 - On forces new firmware download always
 Switch 4 - On enables 100 Hz reverse load filtering



DRAWN	DATE	WINTRISS CONTROLS GROUP
ADD	E/24/18	
CHK.		
APPROVALS		
ENG.	TITLE	24 VDC AutoSetPAC 4 Channel
MFG.		with SmartPAC 2 wiring diagram
FILENAME	CODE IDENT NO.	C
REL	SCALE	
	DRAWING NUMBER	FIGURE 6
	REV	
	SIZE	
	SHEET	OF

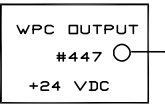
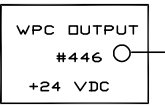
Use Wintriss cable:
 30 feet - #4328501
 100 feet - #4328502

Cut off end do not use the yellow wire.



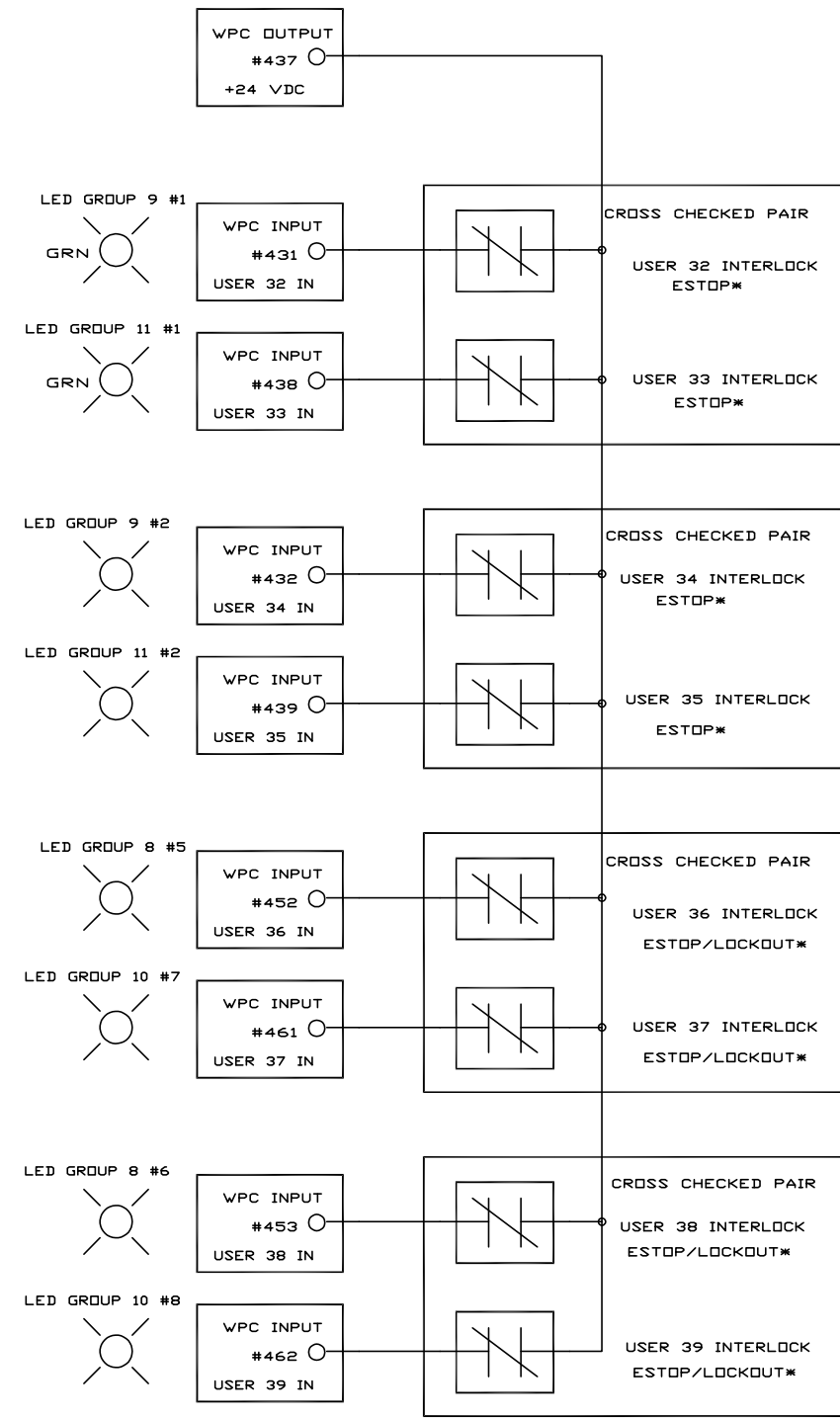
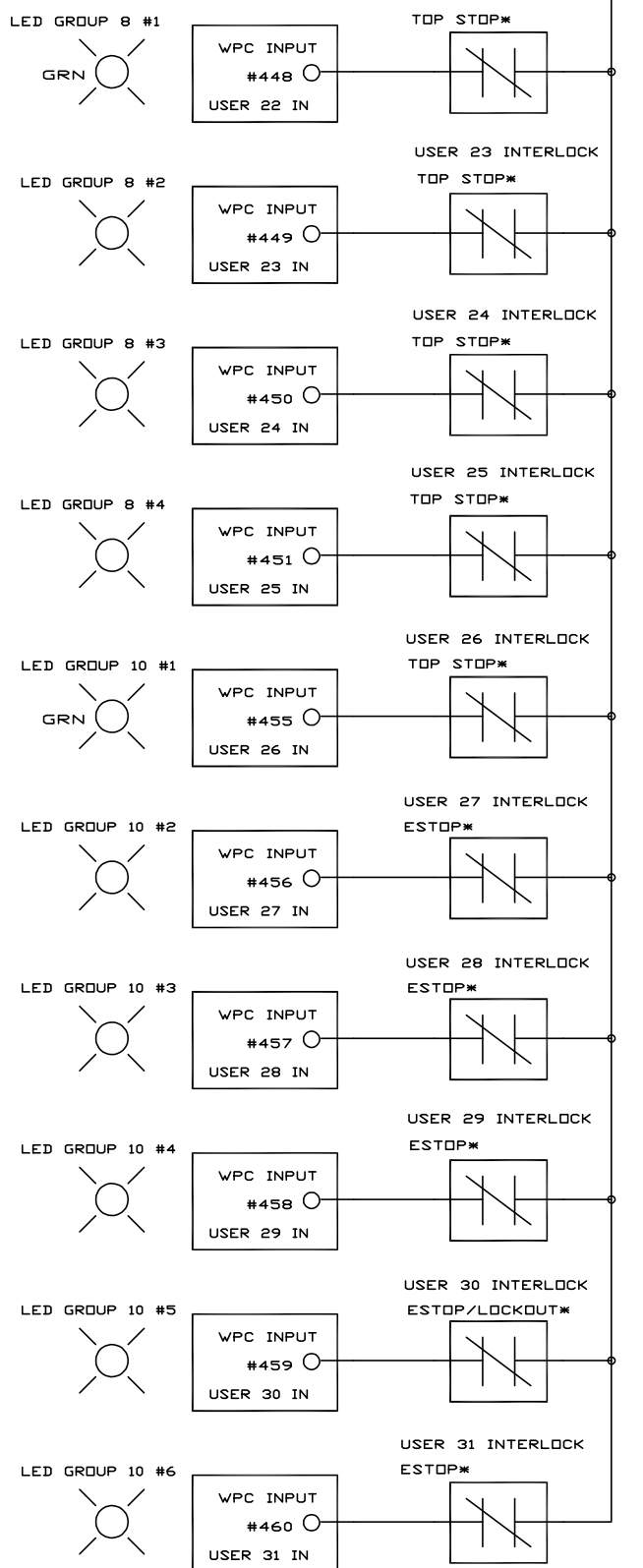
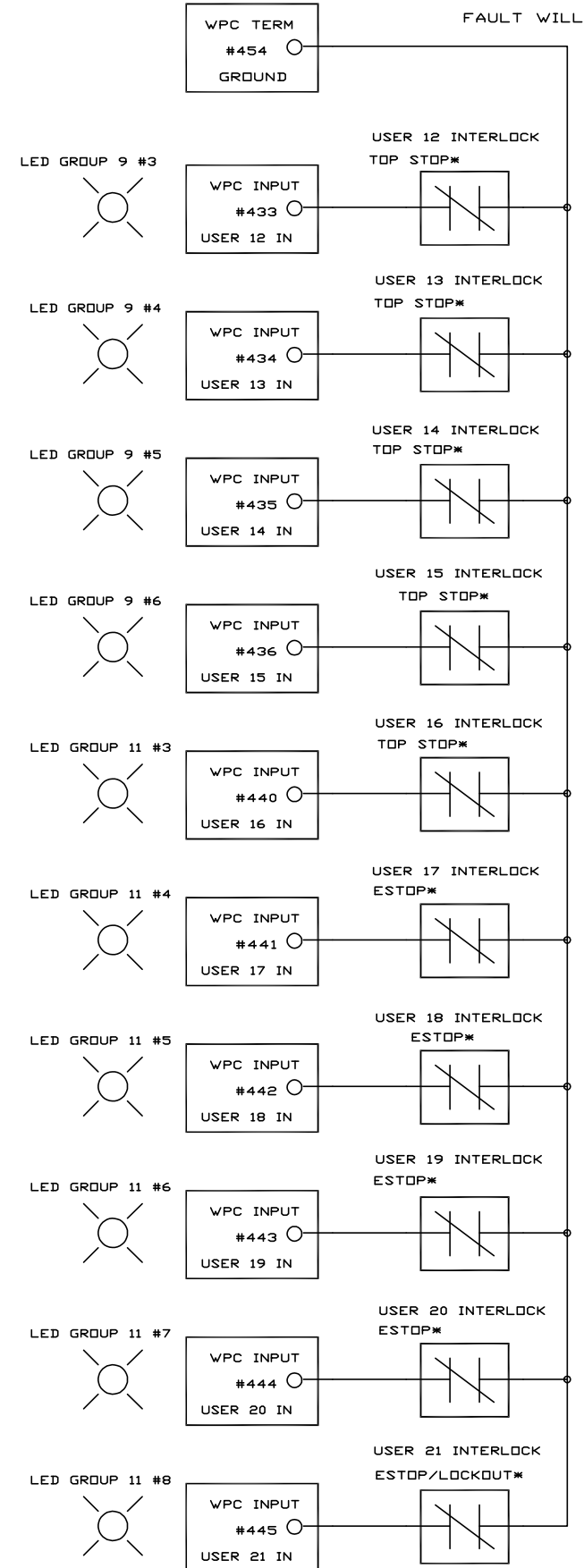
* SET TO ESTOP IN THE SMARTPAC 2 INTEGRATION BY DEFAULT BUT CAN BE PROGRAMMED.

ALL THE USER INTERLOCKS MUST BE USED OR JUMPERED TO THE CORRECT VOLTAGE OR A FAULT WILL OCCUR.



REVISIONS			
REV	DESCRIPTION	DATE	APP'D

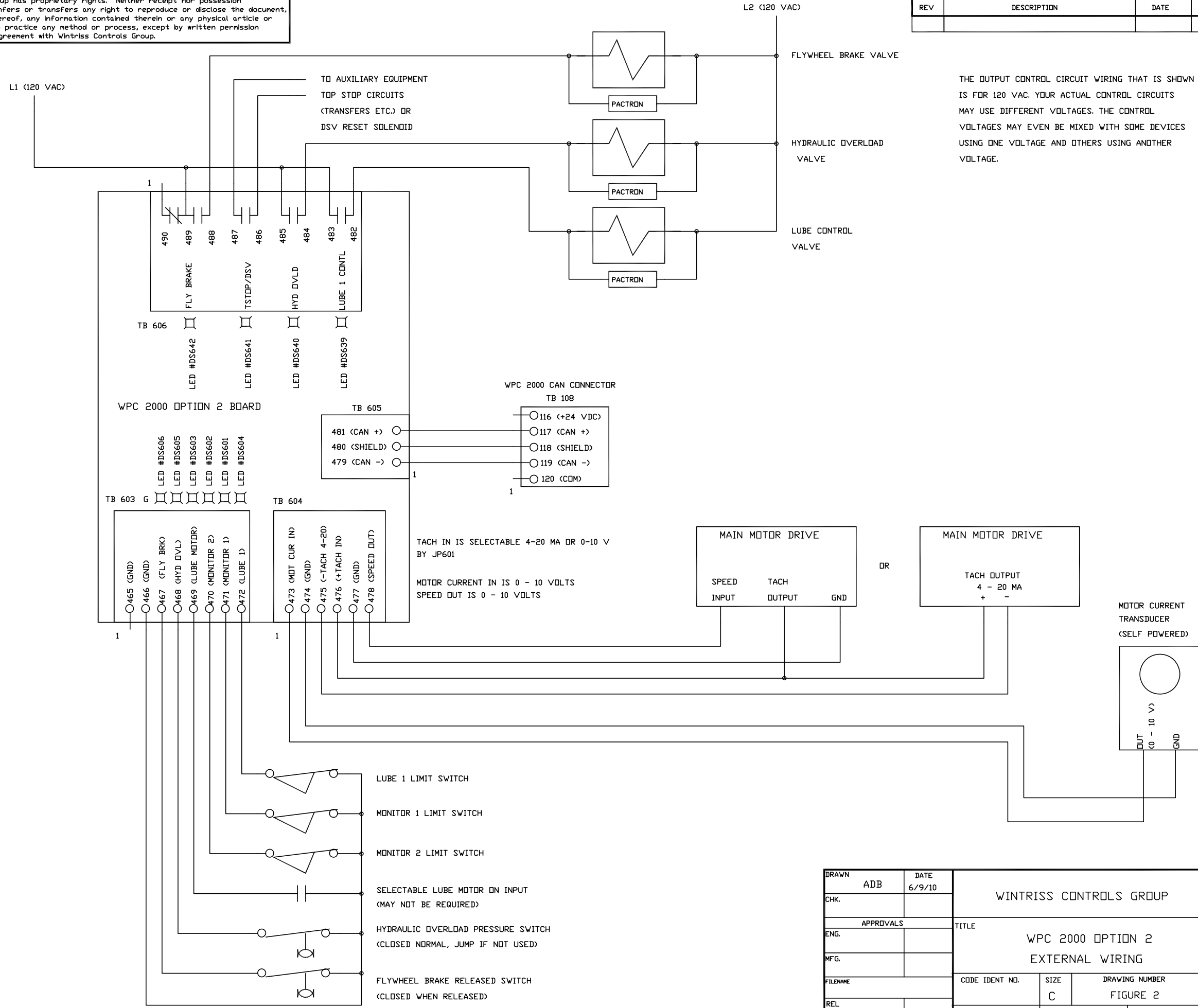
CROSS CHECKED PAIRS CAN ONLY BE SET TO ESTOP OR ESTOP/LOCKOUT TYPE.



DRAWN	ADB	DATE	4/24/14	WINTRISS CONTROLS GROUP			
CHK.				TITLE			
APPROVALS				WPC 2000 PLUS OPTION 2			
ENG.				USER INPUT EXTERNAL WIRING			
MFG.				CODE IDENT NO.	SIZE	DRAWING NUMBER	REV
FILENAME					C	FIGURE 1	
REL				SCALE		SHEET	OF

PROPRIETARY RIGHTS. This document discloses subject matter in which Wintriss Controls Group has proprietary rights. Neither receipt nor possession thereof confers or transfers any right to reproduce or disclose the document, any part thereof, any information contained therein or any physical article or device, or to practice any method or process, except by written permission or written agreement with Wintriss Controls Group.

REVISIONS			
REV	DESCRIPTION	DATE	APP'D



THE OUTPUT CONTROL CIRCUIT WIRING THAT IS SHOWN IS FOR 120 VAC. YOUR ACTUAL CONTROL CIRCUITS MAY USE DIFFERENT VOLTAGES. THE CONTROL VOLTAGES MAY EVEN BE MIXED WITH SOME DEVICES USING ONE VOLTAGE AND OTHERS USING ANOTHER VOLTAGE.

TACH IN IS SELECTABLE 4-20 MA OR 0-10 V BY JP601
 MOTOR CURRENT IN IS 0 - 10 VOLTS
 SPEED OUT IS 0 - 10 VOLTS

DRAWN	ADB	DATE	WINTRISS CONTROLS GROUP			
CHK.		6/9/10	TITLE			
APPROVALS			WPC 2000 OPTION 2			
ENG.			EXTERNAL WIRING			
MFG.			CODE IDENT NO.	SIZE	DRAWING NUMBER	REV
FILENAME			C		FIGURE 2	
REL			SCALE	NONE	SHEET	OF

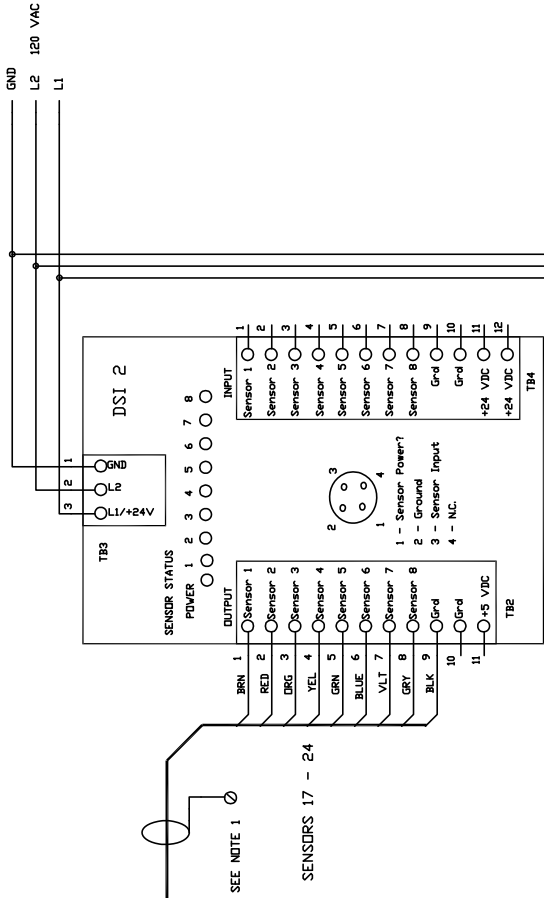
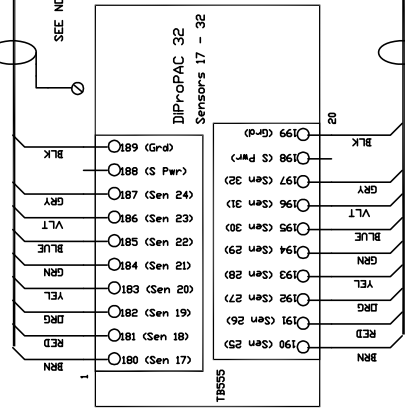
PROPRIETARY RIGHTS: This document discloses subject matter in which Wintriss Controls Group has proprietary rights. Neither receipt nor possession thereof confers or transfers any right to reproduce or disclose the document, any part thereof, any information contained therein or any physical article or information therefrom without the prior written consent or written permission or written agreement with Wintriss Controls Group.

NOTE: DIPRO 32 MODULE ONLY WORKS WITH THE SMARTPAC 2 UNIT.

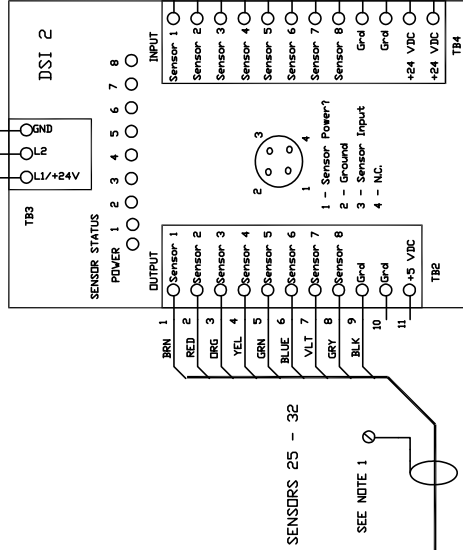
NOTE 1: CONNECT THE SHIELD TO THE ENCLOSURE CLOSE TO THE CONDUIT ENTRY POINT.

NOTE 2: CUT THESE WIRES OFF CLOSE TO THE END OF THE CABLE JACKET.

THE WHITE, TAN AND PINK WIRES ARE NOT USED SEE NOTE 2.



WARNING: WHEN USING MULTIPLE DS1 2 UNITS, DO NOT CONNECT THE 24 VDC OUTPUTS FROM THE UNITS TOGETHER.



DRAWN	ADB	DATE	6/9/10
CHK.			
ENG.			
MFG.			
FLOWN			
REL			
SCALE	NONE		
SHEET			4
DF			

WINTRISS CONTROLS GROUP

TITLE
DIPRO 32 SENSORS 17 - 32
TO DS1 2 WIRING DIAGRAM

CODE IDENT NDL	SIZE	DRAWING NUMBER	REV
	C	FIGURE 4	